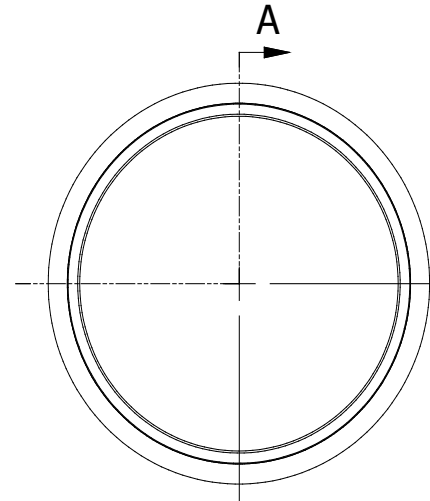
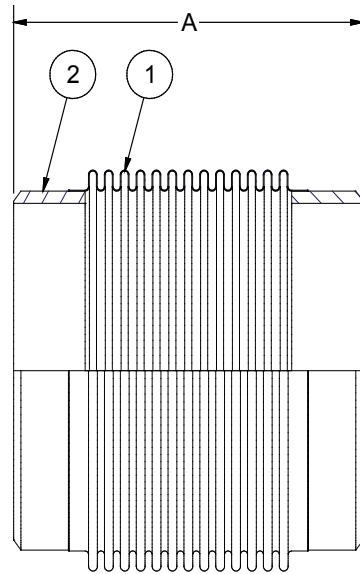


BUTTWELD ENDS
 ASME B16.25
 1/16" LAND, 37.5° BEVEL




SEE SHEET 3 FOR NOTES

SUBMITTED FOR APPROVAL	DESIGN DATA	LIST OF MATERIAL			
	MEDIA:				
OPERATING PRESSURE:	PSIG				
DESIGN PRESSURE:	150 PSIG				
DESIGN TEMPERATURE:	500° F				
	(MAX TEST PRESSURE 1.5 X DESIGN)	2	2	PIPE, SCHEDULE STANDARD	A53 GRADE B
		1	1	BELLOWS	A240-304
		ITEM	QTY	DESCRIPTION	MATERIAL

**1509 HYFLEX SINGLE-PLY
 WELD END, 150 PSIG**



Hyspan Precision Products, Inc. Tel 619-421-1355
 1685 Brandywine Avenue Fax 619-421-1702
 Chula Vista, CA 91911 websales@hyspan.com

ITEM	PART NUMBER	NOMINAL SIZE (IN)	QUANTITY	AXIAL COMPRESSION (IN)	OVERALL LENGTH A (IN)	WEIGHT (LB)	TAG	
	1509-140-1.5	3		1.5	8.0	4		
	1509-140-2.0	3		2.0	9.0	4		
	1509-140-2.5	3		2.5	10.0	4		
	1509-148-1.5	4		1.5	8.0	6		
	1509-148-2.0	4		2.0	9.0	6		
	1509-148-2.5	4		2.5	10.0	6		
	1509-155-1.5	5		1.5	8.0	8		
	1509-155-2.0	5		2.0	9.0	8		
	1509-155-2.5	5		2.5	10.0	8		
	1509-160-1.5	6		1.5	8.0	10		
	1509-160-2.0	6		2.0	9.0	10		
	1509-160-2.5	6		2.5	10.0	10		
	1509-167-2.0	8		2.0	11.0	15		
	1509-167-2.5	8		2.5	12.0	15		
	1509-167-3.0	8		3.0	13.0	15		
	1509-174-2.0	10		2.0	11.0	21		
	1509-174-2.5	10		2.5	12.0	21		
	1509-174-3.0	10		3.0	13.0	21		
	1509-180-2.0	12		2.0	11.0	25		
	1509-180-2.5	12		2.5	12.0	25		
	1509-180-3.0	12		3.0	13.0	25		
	1509-181-2.0	14		2.0	11.0	28		
	1509-181-2.5	14		2.5	12.0	28		
	1509-181-3.0	14		3.0	13.0	28		
		Nominal Sizes 16", 18", 20", and 24" on Sheet 3 of 3						
1509 HYFLEX SINGLE-PLY WELD END, 150 PSIG					 Hyspan Precision Products, Inc. Tel 619-421-1355 1685 Brandywine Avenue Fax 619-421-1702 Chula Vista, CA 91911 websales@hyspan.com			
COPYRIGHT© 2019 HYPAN PRECISION PRODUCTS, INC.						SHEET 2 OF 3		

ITEM	PART NUMBER	NOMINAL SIZE (IN)	QUANTITY	AXIAL COMPRESSION (IN)	OVERALL LENGTH A (IN)	WEIGHT (LB)	TAG
	1509-182-2.0	16		2.0	12.0	32	
	1509-182-3.0	16		3.0	14.5	32	
	1509-182-3.5	16		3.5	15.5	32	
	1509-183-2.0	18		2.0	12.0	36	
	1509-183-3.0	18		3.0	14.5	36	
	1509-183-3.5	18		3.5	15.5	36	
	1509-184-2.0	20		2.0	12.0	40	
	1509-184-3.0	20		3.0	14.5	40	
	1509-184-3.5	20		3.5	15.5	40	
	1509-186-2.0	24		2.0	12.0	48	
	1509-186-3.0	24		3.0	14.5	48	
	1509-186-3.5	24		3.5	15.5	48	

NOTES:

1. MANUFACTURED BY HYSpan, AN EJMA REGISTERED COMPANY.
2. ALL WELDING PER THE ASME BOILER & PRESSURE VESSEL CODE SECTION IX.
3. ONE (1) YEAR LIMITED WARRANTY.
4. ALIGNMENT GUIDES, ANCHORS, AND SUPPORTS REQUIRED FOR CORRECT OPERATION & WARRANTY.

**1509 HYFLEX SINGLE-PLY
WELD END, 150 PSIG**



Hyspan Precision Products, Inc. Tel 619-421-1355
1685 Brandywine Avenue Fax 619-421-1702
Chula Vista, CA 91911 websales@hyspan.com