

Hyspan Barco "Ball Type" Flexible Strut Joints and Vibrasnub™ Hydraulic Snubbers

provide the Direct Method to . . .

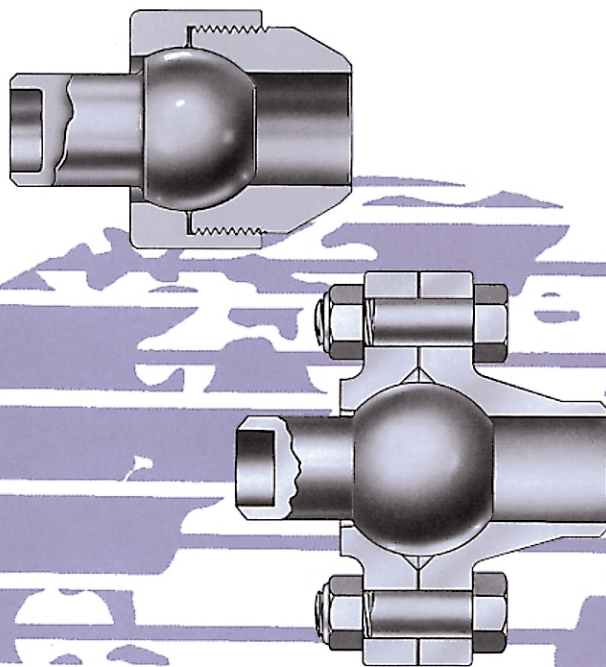
SUPPORT structures and system components

RESTRAIN unwanted structural movements

ACCOMMODATE high tensile and compressive loads

ABSORB dynamic vibration and shock loads

HANDLE compound motion due to torque and rotation



Product Index

"Ball Type" Flexible Strut Joints
Pages 3-5

Sizes: 3/4" (20mm) x 1" (25mm) to
10" (250mm) x 12" (300mm)

Loads: 7,000lbs (31.2 kN) to
250,000lbs (1112 kN)

Engineering Applications
Pages 6-7

Vibrasnub™
Hydraulic Snubbers
Pages 8-11

Sizes: 1-1/2" (40mm) to 4" (100mm)

Loads: 7,000lbs (31.2 kN) to
30,000lbs (133.5 kN)