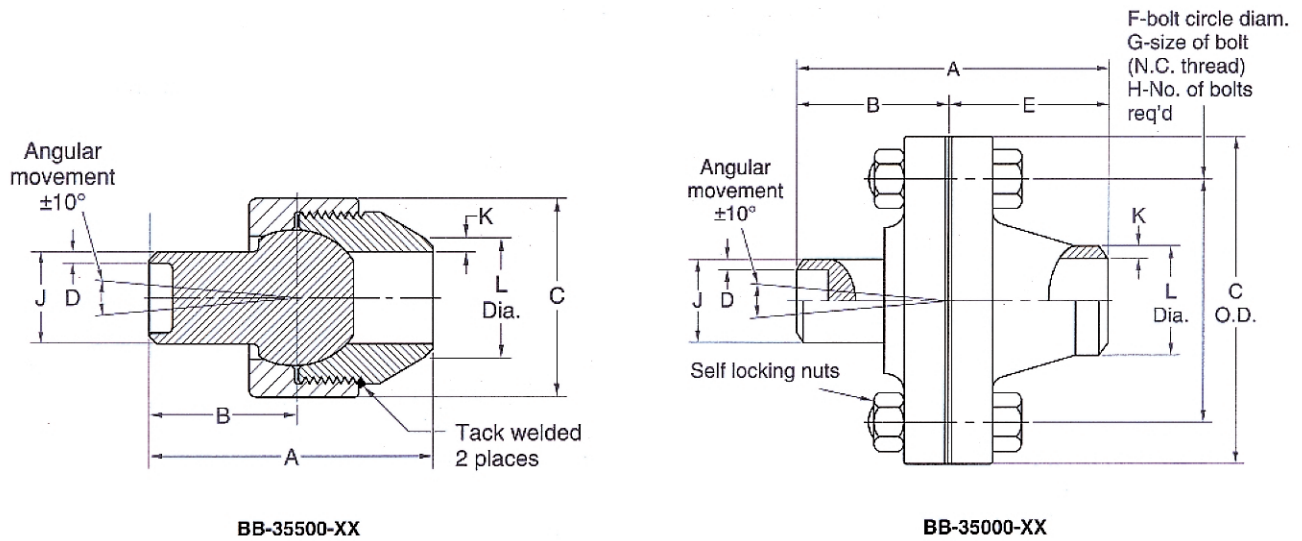


# HYPAN BARCO STRUT JOINTS AND VIBRASNUBS

## “Ball Type” Flexible Strut Joints



**Table 2** Maximum Loading — Tension or Compression: Lbs (kN)

Ball End Inches mm	3/4 (20)	1 (25)	1 1/2 (40)	2 (50)	3 (80)	5 (125)	6 (150)	10 (250)
<b>Loading: Lbs. (kN)</b>	7,000 (31.2)	10,000 (44.5)	14,500 (64.5)	20,000 (89.0)	40,000 (178)	80,000 (356)	120,000 (534)	250,000 (1112)

**Table 3** Dimensional Data

Assembly Part No.	Size: In. (mm)	A	B	C	D	F	G	H	J	K	L	Shipping Wt.: Lbs. (kg)
BB-35500-16	3/4x1 (20x25)	3.50 (88,9)	1.75 (44,5)	2.63 (66,8)	.218 (5,5)	N/A	N/A	N/A	1.05 (26,7)	.179 (4,5)	1.32 (33,5)	3.0 (1,4)
BB-35500-20	1x1-1/4 (25x32)	4.25 (108,0)	2.12 (53,8)	3.25 (82,6)	.250 (6,4)	N/A	N/A	N/A	1.32 (33,5)	.191 (4,8)	1.66 (42,2)	6.0 (2,7)
BB-35500-32	1-1/2x2 (40x50)	5.75 (146,1)	3.00 (76,2)	4.25 (108,0)	.200 (5,1)	N/A	N/A	N/A	1.90 (48,3)	.218 (5,5)	2.38 (60,5)	12.5 (5,7)
BB-35500-40	2x2-1/2 (50x65)	6.00 (152,4)	3.00 (76,2)	5.00 (127,0)	.218 (5,5)	N/A	N/A	N/A	2.38 (60,5)	.276 (7,0)	2.88 (73,2)	19.0 (8,6)
BB-35500-64	3x4 (80x100)	6.62 (168,1)	3.25 (82,6)	6.50 (165,1)	.300 (7,6)	N/A	N/A	N/A	3.50 (88,9)	.337 (8,6)	4.50 (114,3)	35.0 (15,8)
BB-35000-66	5x6 (125x150)	7.50 (190,5)	3.63 (92,2)	12.50 (317,5)	.375 (9,5)	10.63 (270,0)	3/4"-10	12 12	5.56 (141,2)	.432 (11,0)	6.63 (168,4)	120.0 (54,5)
BB-35000-68	6x8 (150x200)	8.88 (225,6)	4.50 (114,3)	15.00 (381,0)	.432 (11,0)	13.0 (330,2)	7/8"-9	12 12	6.63 (168,4)	.500 (12,7)	8.63 (219,2)	225.0 (102,2)
BB-35000-72	10x12 (250x300)	14.38 (365,2)	8.25 (209,6)	22.00 (558,8)	.843 (21,4)	19.25 (489,0)	1-1/4"-7	20 20	10.75 (273,1)	.687 (17,4)	12.75 (323,9)	650 (294,8)

For fabricated assemblies complete with extension pipe, contact Hyspan.