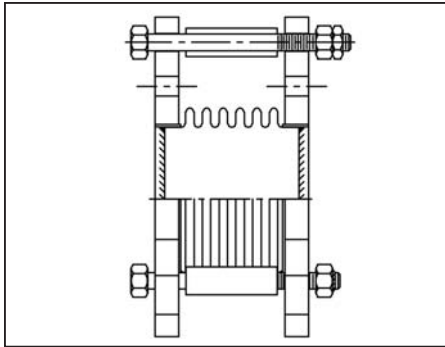
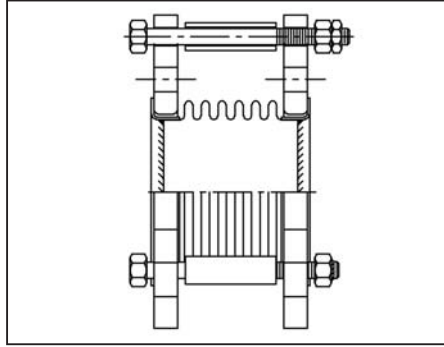


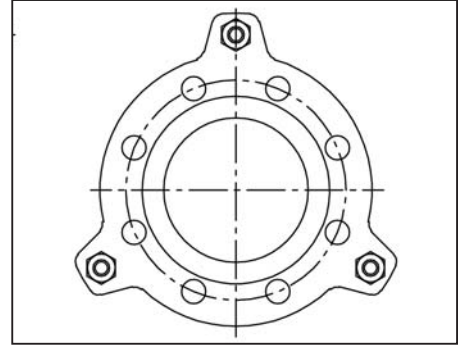
5501R Fixed Flange



5502R Van Stone Flange



Typical End View



Flanges: Flat face carbon steel made from ASME A-36 plate with integral limit rod lugs. Outside diameter and drilling per ASME/ANSI B16.5. Table 3 designs – 150 lb. drilling, Table 4 designs – 300 lb. drilling. See Column 5 of Tables 3 & 4 for maximum outside dimension including limit rod lugs.

Bellows: Laminated (multiply) ASTM A240 type 321 3" diameter and under, type 304 over 3" diameter.

Van Stone: ASTM A240 type 304, The primary purpose of van stoned ends on Series 5500 Bellows Pump Connectors is to provide an all wetted stainless steel surface in contact with the flow media. The van stone is material that is flared and flattened against the flange face. Although it is not dimensionally equivalent to a raised face, it creates a condition that is comparable. Since the flanges are not attached to the bellows or van stone, they can rotate relative to each end approximately one half hole diameter as limited by the limit rods.

Flow Liner (optional): ASTM A240 type 304, Material thickness follows the recommendations of the Standards of the [Expansion Manufacturers Association, Inc.](#) for flow velocities less than 100 ft./sec.

Limit Rods: ASTM A307 Bolts, A563 Nuts

Table 2 Pressure and Force Data Bellows Pump Connectors Types 5501R, 5502R & 5506R 150 & 300 psig

Nominal Size NPS	Effective Area (in. ²)	50 PSI	75 PSI	100 PSI	150 PSI	225 PSI	300 PSI	450 PSI
1 1/2	3.6	180	270	360	540	810	1080	1620
2	5.6	280	420	560	840	1260	1680	2520
2 1/2	7.8	390	585	780	1170	1755	2340	3510
3	11.6	580	870	1160	1740	2610	3480	5220
4	19	950	1425	1900	2850	4275	5700	8550
5	28	1400	2100	2800	4200	6300	8400	12600
6	40	2000	3000	4000	6000	9000	12000	18000
8	66	3300	4950	6600	9900	14850	19800	29700
10	101	5050	7575	10100	15150	22725	30300	45450
12	147	7350	11025	14700	22050	33075	44100	66150
14	177	8850	13275	17700	26550	39825	53100	79650
16	229	11450	17175	22900	34350	51525	68700	103050
18	287	14350	21525	28700	43050	64575	86100	129150
20	355	17750	26625	35500	53250	79875	106500	159750
24	501	25050	37575	50100	75150	112725	150300	225450
1	2	3	4	5	6	7	8	9